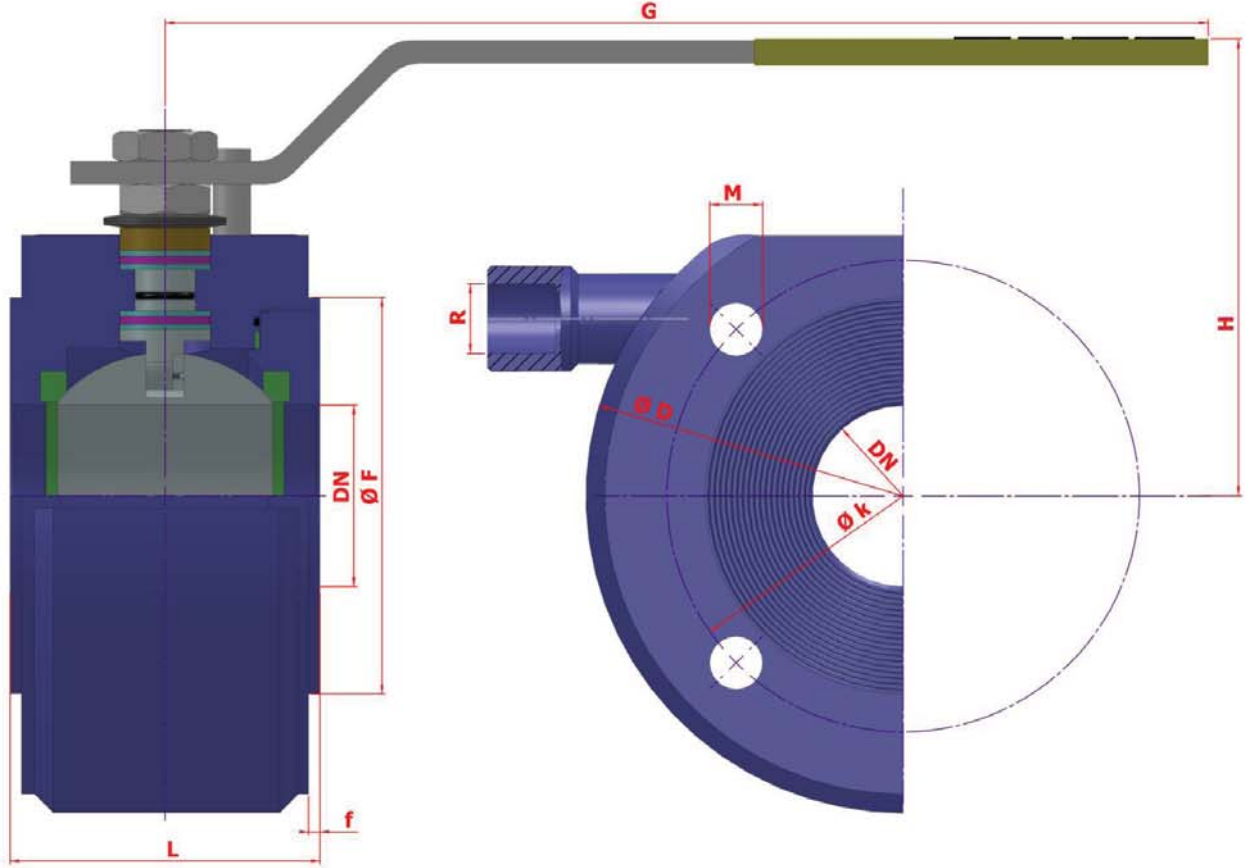


TİP TYPE: BBTKV – CK

{DN 15 – DN 150}

{PN 16 / PN 40}

TAM GEÇİŞLİ
FULL BORE



TİP TYPE	BOYUT ve BAĞLANTI ÖLÇÜLERİ (DIMENSIONS AND CONNECTION SIZES)															
	PN 16							PN 40								
BBTKV-FS	L	G	H	DN	f	R	D	k	Hole Unit	M	F	k	Hole Unit	M	F	Kg
DN 15	38	150	75	15	2	1/2"	105	65	4	M 12	50	65	4	M 12	50	
DN 20	40	150	83	20	2	1/2"	115	75	4	M 12	60	75	4	M 12	60	
DN 25	45	180	90	25	2	1/2"	130	85	4	M 12	68	85	4	M 12	68	
DN 32	58	230	95	32	2	1/2"	157	100	4	M 16	78	100	4	M 16	78	
DN 40	64	275	115	40	3	1/2"	157	110	4	M 16	88	110	4	M 16	88	
DN 50	82	275	120	50	3	1/2"	177	125	4	M 16	105	125	4	M 16	105	
DN 65	103	320	135	65	3	1/2"	190	145	4	M 16	125	145	8	M 16	125	
DN 80	122	380	150	80	3	1/2"	210	160	8	M 16	132	160	8	M 16	132	
DN 100	150	450	170	100	3	1/2"	250	180	8	M 16	158	190	8	M 20	162	
DN 125	200	450	200	125	3	1/2"	270	210	8	M 16	188	220	8	M 20	188	
DN 150	235	650	235	150	3	1/2"	305	240	8	M 20	212	250	8	M 22	218	

