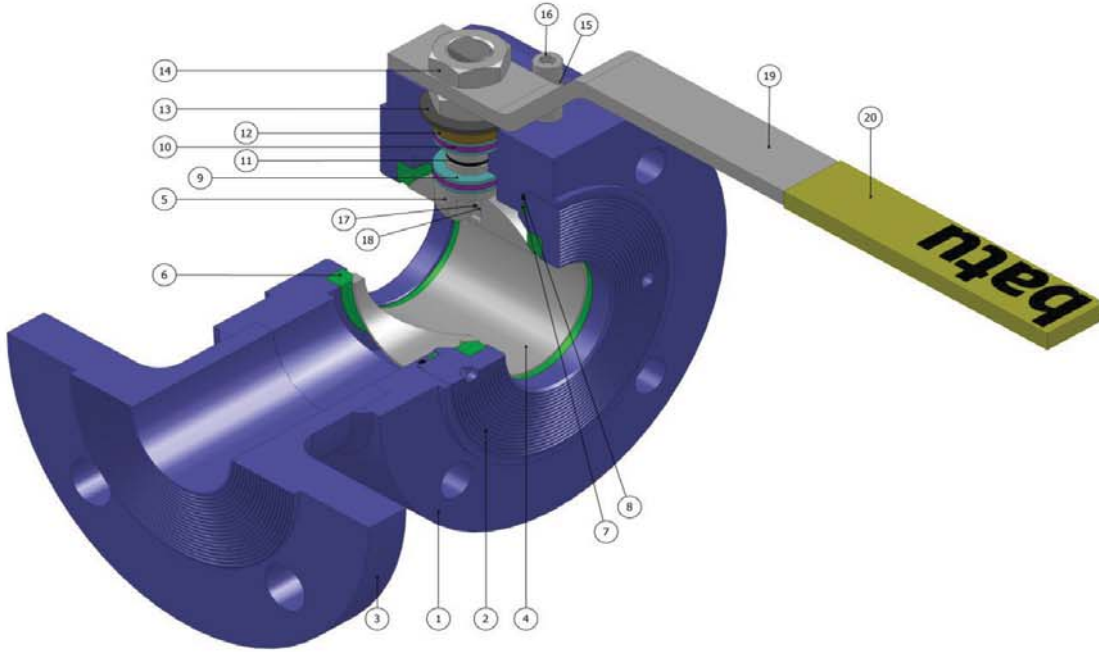


TİP TYPE: BBTKV – 3Y {DN 15 – DN 200} {PN 16 / PN 40}

TAM GEÇİŞLİ
FULL BORE

Boyut	Dimensions	: BATU ÖZEL
Bağlantılar	Connections	: DIN 2545 – 2635 (EN 1092-1)
Çalışma Basıncı	Working Pressure	: PN 16 – 40
Çalışma Sıcaklığı	Working Temperature	: -30 °C / +250 °C
Kullanım Alanları	Usage Areas	: Su, Sıcak Su, Buhar, Basıncı Hava Water, Hot Water, Steam, Pressurized Air



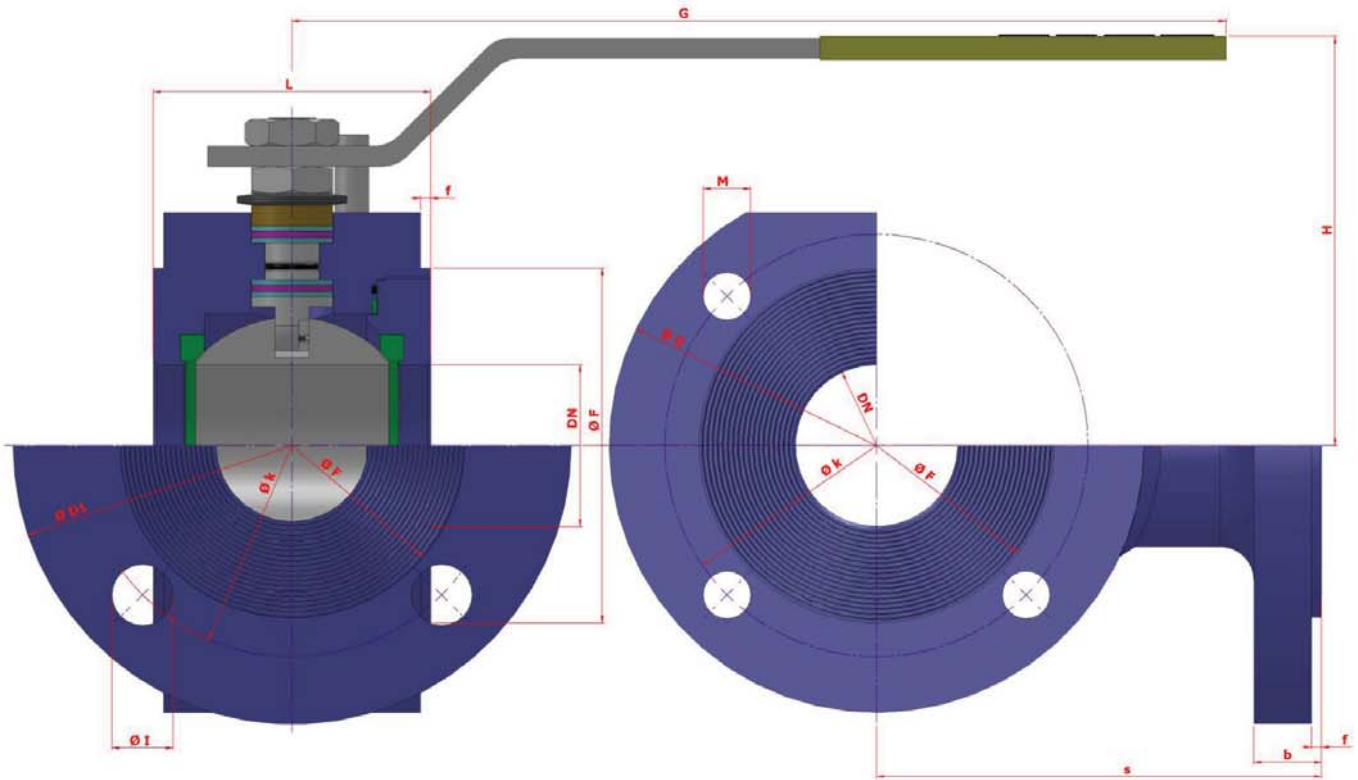
MALZEME BİLGİSİ MATERIAL DATA

PARÇA NO ITEM NO	ADET PCS	PARÇA ADI ITEM DESCRIPTION	MALZEME MATERIAL	
20	1	PLASTİK KAPLAMA PLASTIC COVERING	PVC	PVC
19	1	KÜRE HAREKET KOLU BALL ACTION HANDLE	st 37	1.4301.
18	2	ANTİSTATİK KÜRE ANTISTATIC BALL	1.4301.	1.4301 / 1.4086
17	2	ANTİSTATİK YAY ANTISTATIC SPRING	1.4301.	1.4301 / 1.4086
16	1	CİVATA BOLT	ST 42 Gal.	1.4301 / 1.4086
15	1	STOPLAMA PİMİ STOPPING PIM	ST 42 Gal.	1.4301.
14	2	KONTRA SOMUN COUNTER NUT	5,6 Gal.	1.4301.
13	2	ÇANAK PUL BOWL WASHER	50 Cr V 4	1.4301.
12	1	BASKI RİNGİ PRESSURE RING	MS 58	1.4301. - 1.4401.
11	1	MİLO-RİNG SPINDLE O-RING	VİTON	VİTON
10	2	BURGMAN GRAFİT O-RİNG BURGMAN GRAPHITE O-RING	EN 1514-1	EN 1514-1
9	4	BOĞAZ SIZDIRMAZLIK TEFLONU NECK TIGHTNESS ELEMENT	PTFE-Teflon	PTFE-Teflon
8	1	GÖVDE O-RİNG BODY O-RING	VİTON	VİTON
7	1	GÖVDE SIZDIRMAZLIK TEFLONU BODY TIGHTNESS ELEMENT	PTFE-Teflon	PTFE-Teflon
6	2	KÜRE SIZDIRMAZLIK TEFLONU BALL TIGHTNESS ELEMENT	PTFE-Teflon	PTFE-Teflon
5	1	HAREKET MİLİ ACTION SPINDLE	1,4021	1.4301. - 1.4401.
4	1	KÜRE BALL	1.4301 / 1.4086	1.4305. - 1.4401.
3	1	3. YOL KAPAK 3 WAY COVER	ST 37-2	1.4301. - 1.4401.
2	1	KAPAK COVER	ASTM A 105	1.4301. - 1.4401.
1	1	GÖVDE BODY	ASTM A 105	1.4301. - 1.4401.



TİP TYPE: BBTKV – 3Y {DN 15 – DN 200} {PN 16 / PN 40}

TAM GEÇİŞLİ
FULL BORE



TİP TYPE	BOYUT ve BAĞLANTI ÖLÇÜLERİ (DIMENSIONS AND CONNECTION SIZES)																			Kg
	PN 16							PN 40							Hole Unit	M	I	F		
BBTKV-FS	L	s	G	H	DN	f	D	D1	k	M	I	F	D1	k					M	I
DN 15	38	85	150	75	15	2	87	95	65	4	M 12	14	50	95	65	4	M 12	14	50	
DN 20	40	90	150	83	20	2	97	105	75	4	M 12	14	60	105	75	4	M 12	14	60	
DN 25	45	90	180	90	25	2	107	115	85	4	M 12	14	68	115	85	4	M 12	14	68	
DN 32	58	105	230	95	32	2	135	140	100	4	M 16	18	78	140	100	4	M 16	18	78	
DN 40	64	120	275	115	40	3	145	150	110	4	M 16	18	88	150	110	4	M 16	18	88	
DN 50	82	135	275	120	50	3	165	165	125	4	M 16	18	105	165	125	4	M 16	18	105	
DN 65	103	150	320	135	65	3	177	185	145	4	M 16	18	125	185	145	8	M 16	18	125	
DN 80	122	175	380	150	80	3	197	200	160	8	M 16	18	132	200	160	8	M 16	18	132	
DN 100	150	190	450	170	100	3	232	220	180	8	M 16	18	158	235	190	8	M 20	22	162	
DN 125	200	210	450	200	125	3	270	250	210	8	M 16	18	188	270	220	8	M 20	26	188	
DN 150	235	225	650	235	150	3	305	285	240	8	M 20	22	212	300	250	8	M 22	26	218	
DN 200	310	325	900	270	200	3	400	340	295	12	M 20	22	268	375	320	12	M 27	30	285	