

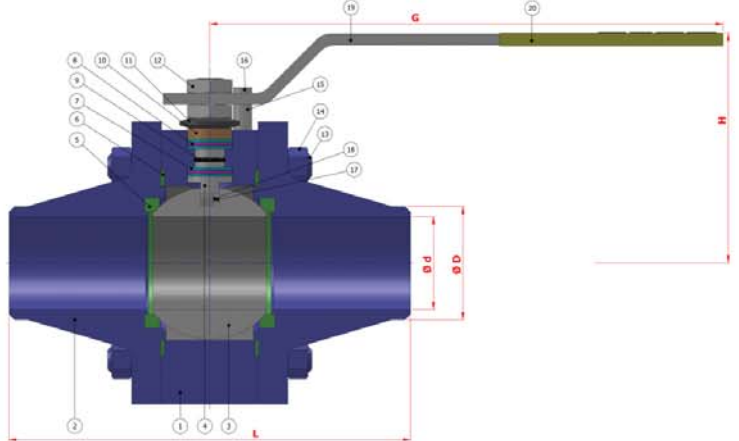
TİP TYPE: BKV – KA – TG {DN 15 – DN 100} {CLASS 600(PN100)}

TAM GEÇİŞLİ / ALIN KAYNAKLI  
FULL BORE / BUTT WELD

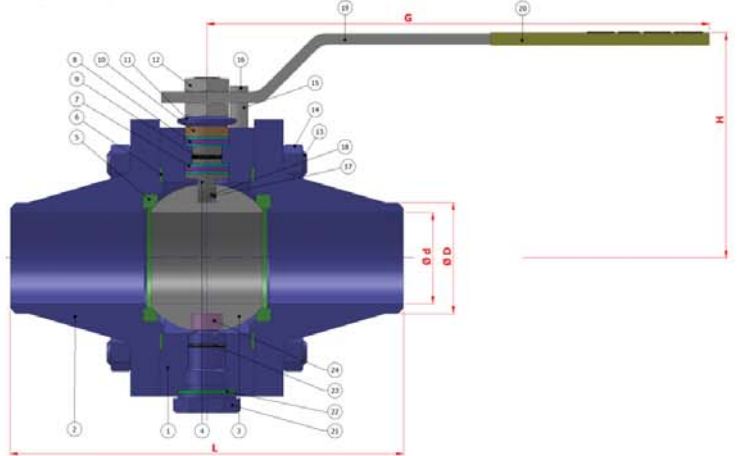
Dizayn	Desing	: API 6D / ISO 14313
Boyutlar	Dimensions	: ASME B 16.10
Bağlantılar	Connections	: ALIN KAYNAKLI / BUTT WELD ASME B 16.25
Çalışma Basıncı	Working Pressure	: CLASS 600 ( PN 100 )
Çalışma Sıcaklığı	Working Temperature	: -30 °C / + 180 °C
Kullanım Alanları	Usage Areas	: Doğalgaz, LPG - LNG, Fuel-Oil, Basıncılı Hava ve Diğer Gazlar Natural Gas, LPG-LNG, Fuel-Oil, Pressurized Air and Other Gases etc.



MALZEME BİLGİSİ MATERIAL DATA				
PARÇA NO ITEM NO	ADET PCS	PARÇA ADI ITEM DESCRIPTION	MALZEME MATERIAL	
24	1	ALT YATAK TEFLONU	BALL TIGHTNESS ELEMENT	PTFE-Teflon
23	1	ALT YATAK O-RING	SPINDLE O-RING	VITON
22	1	ALT YATAK TEFLONU	BALL TIGHTNESS ELEMENT	PTFE-Teflon
21	1	ALT YATAK	TRUNNION	ASTM A 105
20	1	PLASTİK KAPLAMA	PLASTIC COVERING	PVC
19	1	KÜRE HAREKET KOLU	BALL ACTION HANDLE	Ø 37
18	1	CIVATA	BOLT	ST 42 Gal.
17	1	STOPLAMA PİMİ	STOPPING PIN	ST 42 Gal.
16	2	ANTİSTATİK KÜRE	ANTISTATIC BALL	1.4301.
15	2	ANTİSTATİK YAY	ANTISTATIC SPRING	1.4301.
14	8	SOMUN	NUT	5.6.
13	4	SAPLAMA	STOPPING PIN	4140 - 5140
12	2	KONTRA SOMUN	COUNTER NUT	5,6 Gal.
11	2	ÇANAK PUL	BOWL WASHER	50 Cr V 4
10	1	BASKI RİNGİ	PRESSURE RING	MS 58
9	1	MİL O-RİNG	SPINDLE O-RING	VITON
8	2	BURGHAN GRAFİT O-RİNG	BURGHAN GRAPHITE O-RING	EN 1514-1
7	4	BOĞAZ SIZDIRMAZLIK TEFLONU	NECK TIGHTNESS ELEMENT	PTFE-Teflon
6	2	GÖVDE SIZDIRMAZLIK TEFLONU	BODY TIGHTNESS ELEMENT	PTFE-Teflon
5	2	KÜRE SIZDIRMAZLIK TEFLONU	BALL TIGHTNESS ELEMENT	PTFE-Teflon
4	1	HAREKET MİLİ	ACTION SPINDLE	1.4021
3	1	KÜRE	BALL	1.4301 / 1.4086
2	2	KAPAK	COVER	A 216 WCB / A 105
1	1	GÖVDE	BODY	A 216 WCB / A 105



FLOATING



TRUNNION

TİP TYPE	BOYUT ve BAĞLANTI ÖLÇÜLERİ ( DIMENSIONS AND CONNECTION SIZES )					
	CLASS 600					
	L	G	H	d	D	kg
BKV-KA-TG						
DN 15	1/2"	165	150	75	15	21,3
DN 20	3/4"	190	150	83	20	26,7
DN 25	1"	216	180	90	25	33,4
DN 32	1 1/4"	229	230	95	32	42,2
DN 40	1 1/2"	241	275	115	40	48,3
DN 50	2"	292	275	120	50	60,3
DN 65	2 1/2"	330	320	135	65	76,1
DN 80	3"	356	380	150	80	88,1
DN 100	4"	432	450	170	100	114,3