

## Tek Etkili Pnömatik Aktuatörler



TEK ETKİLİ (YAY GERİ DÖNÜŞLÜ) PNÖMATİK AKTÜATÖR TORK DEĞERLERİ (Nm)

MODEL	Yay Aaleti	Besleme Hava Basıncı (bar)																				Yay Tork Değeri						
		2,5 bar		3 bar		3,5 bar		4 bar		4,5 bar		5 bar		5,5 bar		6 bar		6,5 bar		7 bar		7,5 bar		8 bar		0°	90°	
		0° Start	90° Stop	0° Start	90° Stop	0° Start	90° Stop	0° Start	90° Stop	0° Start	90° Stop	0° Start	90° Stop	0° Start	90° Stop	0° Start	90° Stop	0° Start	90° Stop	0° Start	90° Stop	0° Start	90° Stop	0° Start	90° Stop			
T-RPA SR 40	S05	3.3	1.7	4.8	3.2	6.3	4.7	7.8	6.2	9.3	7.7	10.8	9.2	12.3	10.7	13.8	12.2	15.3	13.7	16.8	15.2	18.3	16.7	19.8	18.2	4.2	5.8	
	S06			4.0	2.0	5.5	3.5	7.0	5.0	8.5	6.5	10.0	8.0	11.5	9.5	13.0	11.0	14.5	12.5	16.0	14.0	17.5	15.5	19.0	17.0	5.0	7.0	
	S07					4.7	2.3	6.2	3.8	7.7	5.3	9.2	6.8	10.7	8.3	12.2	9.8	13.7	11.3	15.2	12.8	16.7	14.3	18.2	15.8	5.8	8.2	
	S08							5.3	2.7	6.8	4.2	8.3	5.7	9.8	7.2	11.3	8.7	12.8	10.2	14.3	11.7	15.8	13.2	17.3	14.7	6.7	9.3	
	S09									6.0	3.0	7.5	4.5	9.0	6.0	10.5	7.5	12.0	9.0	13.5	10.5	15.0	12.0	16.5	13.5	7.5	10.5	
	S10											6.7	3.3	8.2	4.8	9.7	6.3	11.2	7.8	12.7	9.3	14.2	10.8	15.7	12.3	8.3	11.7	
	S12															7.3	3.7	8.8	5.2	10.3	6.7	11.8	8.2	13.3	9.7	14.8	11.2	9.2
T-RPA SR 60	S05	8.6	1.9	12.6	5.9	16.6	9.9	20.6	13.9	24.6	17.9	28.6	21.9	32.6	25.9	36.6	29.9	40.6	33.9	44.6	37.9	48.6	41.9	52.6	45.9	5.4	12.1	
	S06			11.5	3.5	15.5	7.5	19.5	11.5	23.5	15.5	27.5	19.5	31.5	23.5	35.5	27.5	39.5	31.5	43.5	35.5	47.5	39.5	51.5	43.5	6.5	14.5	
	S07					14.4	5.1	18.4	9.1	22.4	13.1	26.4	17.1	30.4	21.1	34.4	25.1	38.4	29.1	42.4	33.1	46.4	37.1	50.4	41.1	7.6	16.9	
	S08							17.3	6.7	21.3	10.7	25.3	14.7	29.3	18.7	33.3	22.7	37.3	26.7	41.3	30.7	45.3	34.7	49.3	38.7	8.7	19.3	
	S09										20.3	8.3	24.3	12.3	28.3	16.3	32.3	20.3	36.3	24.3	40.3	28.3	44.3	32.3	48.3	36.3	9.8	21.8
	S10												23.2	9.8	27.2	13.8	31.2	17.8	35.2	21.8	39.2	25.8	43.2	29.8	47.2	33.8	10.8	24.2
	S12															26.1	11.4	30.1	15.4	34.1	19.4	38.1	23.4	42.1	27.4	46.1	31.4	11.9
T-RPA SR 80	S05	7.7	-8.2	19.7	3.8	31.7	15.8	43.7	27.8	55.7	39.8	67.7	51.8	79.7	63.8	91.7	75.8	103.7	87.8	115.7	99.8	127.7	111.8	139.7	123.8	18.3	34.2	
	S06			16.0	-3.0	28.0	9.0	40.0	21.0	52.0	33.0	64.0	45.0	76.0	57.0	88.0	69.0	100.0	81.0	112.0	93.0	124.0	105.0	136.0	117.0	22.0	41.0	
	S07					24.3	2.2	36.3	14.2	48.3	26.2	60.3	38.2	72.3	50.2	84.3	62.2	96.3	74.2	108.3	86.2	120.3	98.2	132.3	110.2	25.7	47.8	
	S08							32.7	7.3	44.7	19.3	56.7	31.3	68.7	43.3	80.7	55.3	92.7	67.3	104.7	79.3	116.7	91.3	128.7	103.3	29.3	54.7	
	S09									41.0	12.5	53.0	24.5	65.0	36.5	77.0	48.5	89.0	60.5	101.0	72.5	113.0	84.5	125.0	96.5	33.0	61.5	
	S10											49.3	17.7	61.3	29.7	73.3	41.7	85.3	53.7	97.3	65.7	109.3	77.7	121.3	89.7	36.7	68.3	
	S12															57.7	22.8	69.7	34.8	81.7	46.8	93.7	58.8	105.7	70.8	117.8	82.8	40.3
T-RPA SR 100	S05	44.7	20.9	59.7	35.9	74.7	50.9	89.7	65.9	104.7	80.9	119.7	95.9	134.7	110.9	149.7	125.9	164.7	140.9	179.7	155.9	194.7	170.9	209.7	185.9	28.3	52.1	
	S06			54.0	25.5	69.0	40.5	84.0	55.5	99.0	70.5	114.0	85.5	129.0	100.5	144.0	115.5	159.0	130.5	174.0	145.5	189.0	160.5	204.0	175.5	34.0	62.5	
	S07					63.3	30.1	78.3	45.1	93.3	60.1	108.3	75.1	123.3	90.1	138.3	105.1	153.3	120.1	168.3	135.1	183.3	150.1	198.3	165.1	39.7	72.9	
	S08							72.7	34.7	87.7	49.7	102.7	64.7	117.7	79.7	132.7	94.7	147.7	109.7	162.7	124.7	177.7	139.7	192.7	154.7	45.3	83.3	
	S09									82.0	39.3	97.0	54.3	112.0	69.3	127.0	84.3	142.0	99.3	157.0	114.3	172.0	129.3	187.0	144.3	51.0	93.8	
	S10											91.3	43.8	106.3	58.8	121.3	73.8	136.3	88.8	151.3	103.8	166.3	118.8	181.3	133.8	56.7	104.2	
	S12															100.7	48.4	115.7	63.4	130.7	78.4	145.7	93.4	160.7	108.4	175.7	123.4	62.3
T-RPA SR 120	S05	77.1	41.7	104.6	69.2	132.1	96.7	159.6	124.2	187.1	151.7	214.6	179.2	242.1	206.7	269.6	234.2	297.1	261.7	324.6	289.2	352.1	316.7	379.6	344.2	60.4	95.8	
	S06			92.5	50.0	120.0	77.5	147.5	105.0	175.0	132.5	202.5	160.0	230.0	187.5	257.5	215.0	285.0	242.5	312.5	270.0	340.0	297.5	367.5	325.0	72.5	115.0	
	S07					107.9	58.3	135.4	85.8	162.9	113.3	190.4	140.8	217.9	168.3	245.4	195.8	272.9	223.3	300.4	250.8	327.9	278.3	355.4	305.8	84.6	134.2	
	S08								123.3	66.7	150.8	94.2	178.3	121.7	205.8	149.2	233.3	176.7	260.8	204.2	288.3	231.7	315.8	259.2	343.3	286.7	96.7	153.3
	S09										138.8	75.0	166.3	102.5	193.8	130.0	221.3	157.5	248.8	185.0	276.3	212.5	303.8	240.0	331.3	267.5	108.8	172.5
	S10											154.2	83.3	181.7	110.8	209.2	138.3	236.7	165.8	264.2	193.3	291.7	220.8	319.2	248.3	120.8	191.7	
	S12															169.6	91.7	197.1	119.2	224.6	146.7	251.2	174.2	279.6	201.7	307.1	229.2	210.8
T-RPA SR 143	S02							169.5	37.3	217.5	85.3	264.5	132.3	313.5	181.3	632.5	230.3	410.5	278.3	458.5	326.3	506.5	374.3	554.5	422.3	215.5	347.7	
T-RPA SR 160	S02							226.7	50.7	292.7	116.7	358.7	182.7	421.7	245.7	481.7	305.7	549.7	373.7	613.7	437.7	679.7	503.7	740.7	564.7	283.3	459.3	
T-RPA SR 200	S02							336.7	107.8	473.7	234.8	598.7	359.8	723.7	484.8	846.7	607.8	976.7	737.8	1098.7	859.8	1226.7	987.8	1361.7	1112.8	663.3	892.2	
T-RPA SR 400	S02							634.7	203.2	892.9	442.5	1125.5	678.2	1364.1	913.8	1629.9	1150.0	1841.0	1390.7	2071.0	1620.7	2312.3	1862.0	2566.8	2097.6	1250.3	1681.7	

Not: Sarı boyalı alan aktüatör çıkış tork değerleridir. Lütfen aktüatöre valf seçerken bu değerlere dikkat edin. Vana tork değeri, aktüatör tork değerinden % 25 daha az olmalıdır.

\*1 bar:14,5 PSI 1Nm:8,85 LB-in 1Kgm:9,81Nm\*



## Tek Etkili Pnömatik Aktuatörler

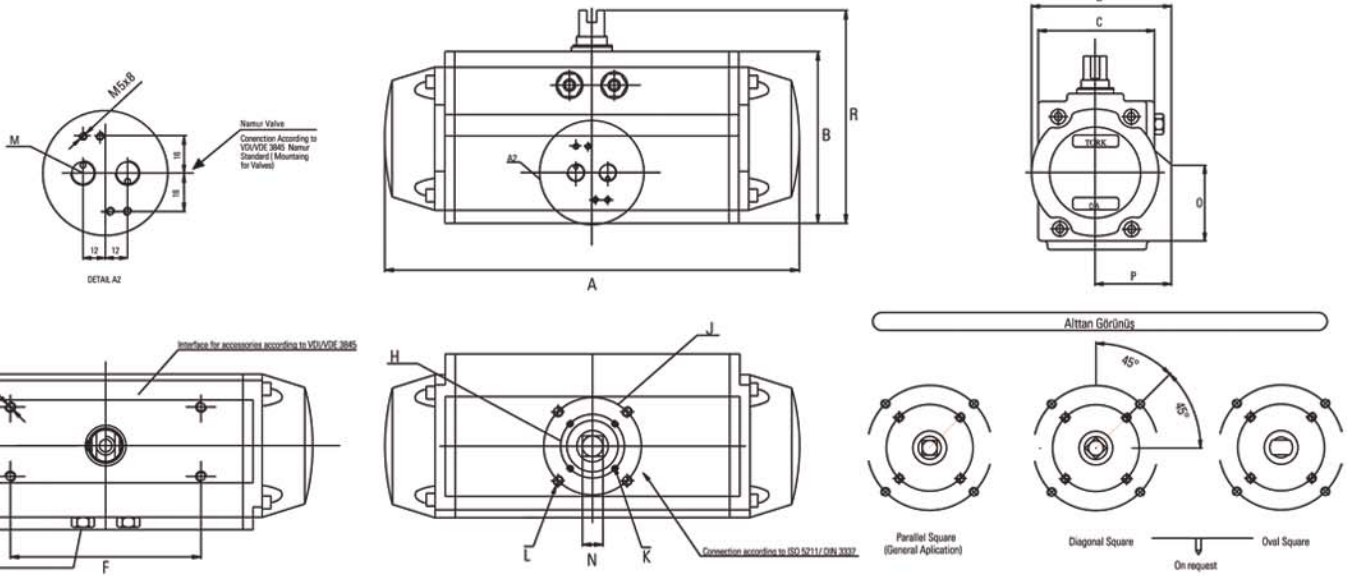


AKTÜATÖR TİP NO	Açmada Hava Debisi (L)	Kapamada Hava Debisi (L)	Açma Süresi (Sn.)	Kapama Süresi (Sn.)	Ağırlık (kg)
T-RPA DA/SR 40	DA	0.16	0.22	0.26	0.85
	SR		0.26	0.34	1.02
T-RPA DA/SR 60	DA	0.28	0.27	0.33	1.70
	SR		0.33	0.38	1.80
T-RPA DA/SR 80	DA	0.79	0.39	0.48	3.80
	SR		0.48	0.57	4.40
T-RPA DA/SR 100	DA	1.15	0.52	0.63	4.90
	SR		0.63	0.95	6.10
T-RPA DA/SR 120	DA	2.45	0.95	1.15	9.60
	SR		1.15	1.47	11.40
T-RPA DA 143	DA	1.95	2.40	2.20	13.00
T-RPA DA 160	DA	2.56	2.60	2.30	19.10
T-RPA DA 200	DA	5.50	3.40	3.20	33.40
T-RPA DA 400	DA	10.80	4.30	3.90	72.00
T-RPA SR 143	SR	4.70	3.20	3.00	17.60
T-RPA SR 160	SR	5.36	3.80	3.50	26.80
T-RPA SR 200	SR	10.50	4.80	4.40	45.90
T-RPA SR 400	SR	20.79	5.90	5.20	98.00

## Tek Etkili Pnömatik Aktuatörler



### Aktüatör Boyutları



### ÖLÇÜLER (mm)

AKTÜATÖR TİP NO	A	B	C	D	E	F	G	H	J	K	L	M	N	O	P	R	ISO Flanş H	ISO Flanş J
T-RPA DA/SR 40	137.2	70.0	52.0	70.6	8.0	80.0	30.0	36/42	-	M5	-	1/8"	9	45.0	39.7	90.0	F03/F04	-
T-RPA DA/SR 60	172.6	85.2	62.0	82.7	8.0	80.0	30.0	42/50	70.0	M5/M6	M8	1/8"	9/11	47.0	47.0	105.2	F04/F05	F07
T-RPA DA/SR 80	242.0	116.9	91.8	109.2	8.0	80.0	30.0	50	70.0	M6	M8	1/8"	14	54.8	58.3	136.9	F05	F07
T-RPA DA/SR 100	282.0	130.0	95.0	121.0	8.0	80.0	30.0	70	102.0	M8	M10	1/4"	17	61.0	65.0	160.0	F07	F10
T-RPA DA/SR 120	360.0	160.0	116.2	150.0	8.0	80.0	30.0	70	102.0	M8	M10	1/4"	17/22	82.0	87.2	190.0	F07	F10
T-RPA DA 143	342	190	182	182	8.0	80.0	30.0	102	140	M10	M16	1/4"	22/27	91	91	210	F10	F14
T-RPA DA 160	374	216	202	202	8.0	80.0	30.0	102	140	M10	M16	1/4"	22/27	101	101	236	F10	F14
T-RPA DA 200	458	268	242	242	8.0	80.0	30.0	-	140/165	-	M20	1/4"	36	121	121	288	-	F14/F16
T-RPA DA 400	458	595	245	245	8.0	80.0	30.0	-	140/165	-	M20	1/4"	36	123	123	615	-	F14/F16
T-RPA SR 143	514	190	182	182	8.0	80.0	30.0	102	140	M10	M16	1/4"	22/27	91	91	210	F10	F14
T-RPA SR 160	558	216	202	202	8.0	80.0	30.0	102	140	M10	M16	1/4"	22/27	101	101	236	F10	F14
T-RPA SR 200	680	268	242	242	8.0	80.0	30.0	140	140/165	M16	M20	1/4"	36	121	121	288	F14	F14/F16
T-RPA SR 400	680	595	245	245	8.0	80.0	30.0	140	140/165	M16	M20	1/4"	36	123	123	615	F14	F14/F16